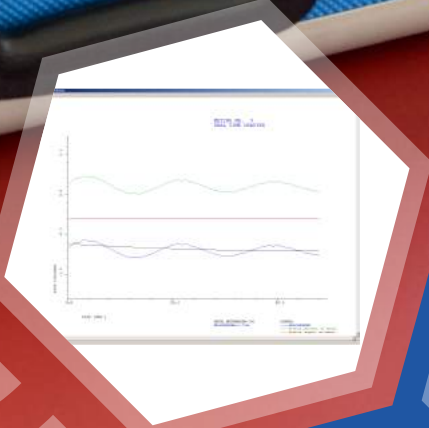


Inclinometer

Digital measurements for
an inclining experiment



SARC

MARITIME SOFTWARE AND SERVICES

INCLINOSENSOR

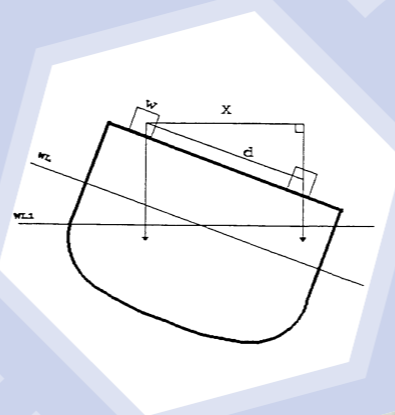
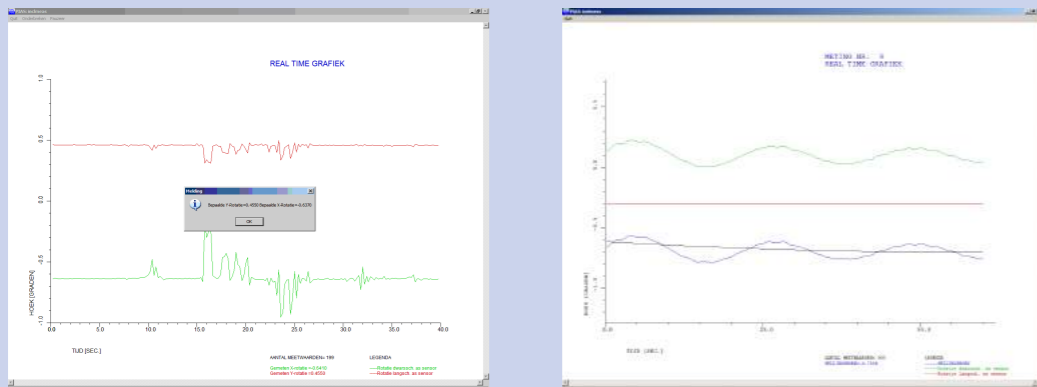
The SARC inclination sensor, in combination with the specific SARC software module, is a system to measure the list of the vessel during an inclining experiment. The sensor can be connected to a windows laptop or PC through USB and positioned anywhere on the ship. During the measurement the data is displayed in real time on the screen. All measured data is stored on hardisk for further reference or to make printouts at a later time.

System

The system consists of a digital inclinometer and software. The complete system is portable and fits into a briefcase.

The software measures, filters and processes the measured inclining angles. After the testweights have been moved the system measures the angles as long as required to assess an accurate inclining angle. The result is the accurate mean angle of inclination of the vessel for this position of the testweights.

The measured data is graphically displayed on screen in real time. The measured data can be presented graphically. All measured angles used to determine the inclination are shown in a graph. The function used to determine the final angle is also shown. Both output to screen and to printer is possible. The output can then f.e. be used to illustrate an inclining test report.

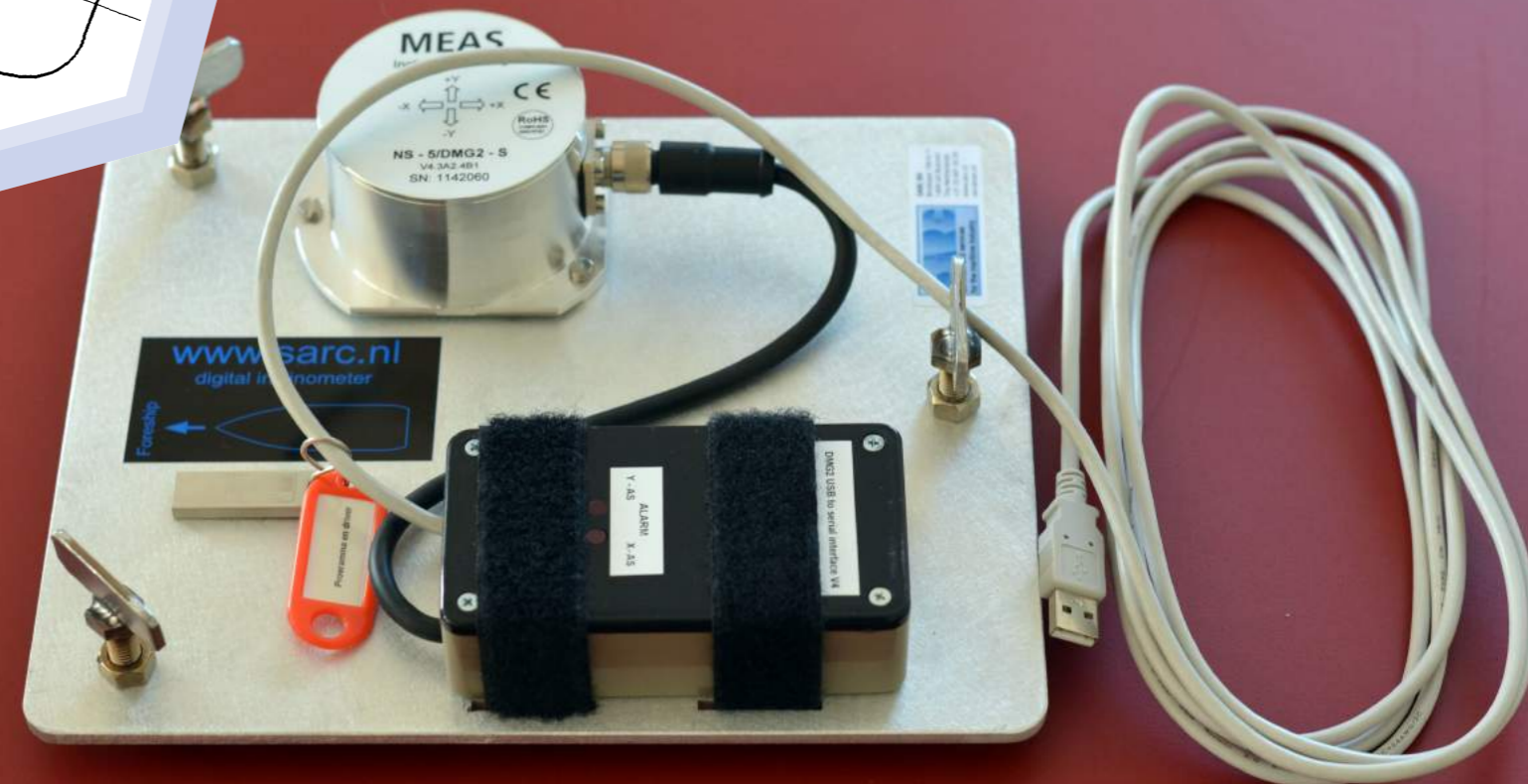


Main benefits

- a very short time is needed to set up the system;
- more objective and efficient method of measurement;
- the system can be placed at any position on the vessel. This makes it less sensitive for disturbances.
- measured data can be presented graphically;
- measured data is saved and can be restored any time if needed;
- professional appearance;
- simplification of the inclining experiment;
- strange or erroneous results can be detected immediately on site. This way additional costs for a second inclining test can be saved.

Specifications

- | | |
|---------------------|--------------|
| • Measurement axis | x and y axis |
| • Measurement range | +/-5° |
| • Resolution | 0.001° |
| • Protection class | IP 67 |





ADDRESS

Brinklaan 109 A11
1404 GA Bussum
The Netherlands

PHONE

+31 85 040 90 40

MAIL

sarc@sarc.nl

WEBSITE

www.sarc.nl

SARC
MARITIME SOFTWARE AND SERVICES